

LLR-240

Liquid Level Control Relay

Applications

- Water and wastewater
- Empty or fill applications
- High or low level alarming
- Use with FOGRod or stainless steel rods or other electrodes etc

Features

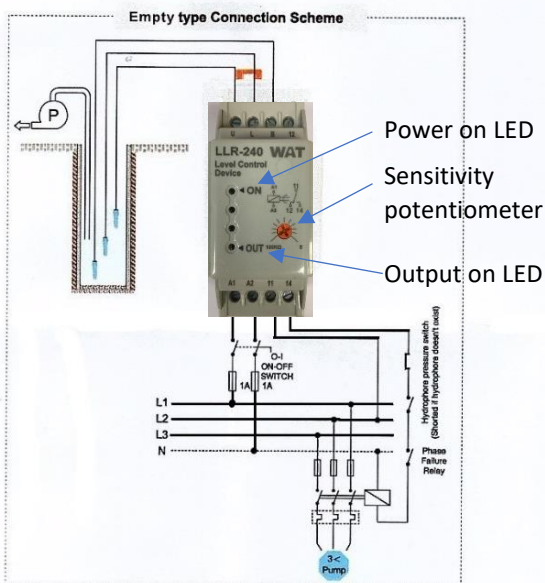
- Modular compact design
- Dual probe or triple probe
- LED indication
- DIN Rail mount
- Single pole changeover 5A relay output

OPERATION:

Ensure the relay is powered up indicated by the ON LED. When the level rises and reaches the top electrode (U) the relay switches on and latches and the OUT (output) LED illuminates, when the level falls below the bottom electrode (L) the relay de-energises and the OUT LED extinguishes.

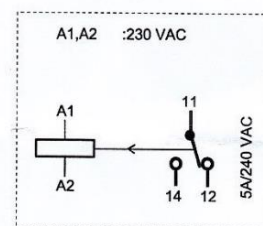
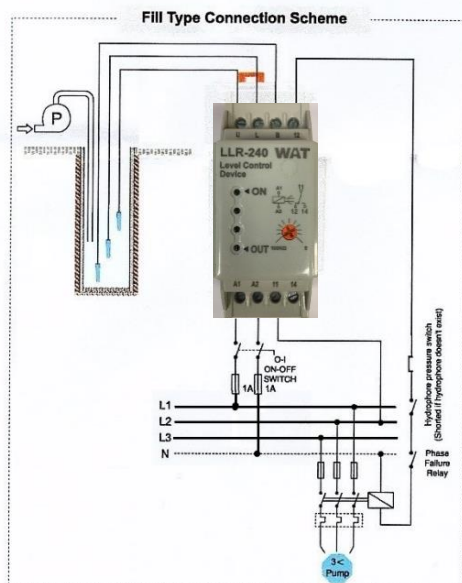
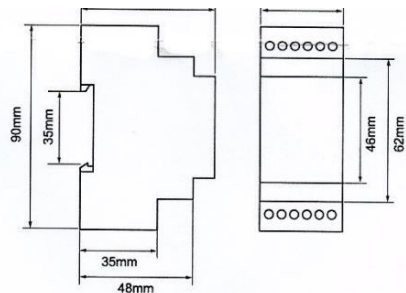
Please remember to adjust the sensitivity based on the conductivity of the effluent. The cleaner the water the higher the sensitivity setting. As a guide when used in sewage set the sensitivity around 20K Ohms (default). To set sensitivity immerse electrodes in effluent and turn orange sensitivity potentiometer fully clockwise, slowly turn potentiometer anti-clockwise until the OUT (output) LED activates, move the pot 1 segment further anti-clockwise, this is now set.

- ▶ the upper level electrode(U) : Top (U)
- ▶ the lowest level electrode (L) : Bottom (L)
- ▶ the earth electrode B : Earth (B)



TECHNICAL DATA:

Rated Voltage	230V AC
Frequency	50/60Hz
Electrode voltage	~ 10V AC
Sensitivity	5-100KΩ adjustable
Relay type	SPCO
Relay rated current	5A continuous (2000VA)
Power consumption	< 4VA
IP Rating	IP20
Connector Protection	IP00
Ambient operating temperature	-5°C to +50°C



FOR USE IN WATER, WASTEWATER AND OTHER AQUEOUS SOLUTIONS. **NOT** FOR USE WITH INFLAMMABLE LIQUIDS OR GASES.

FOR INTRINSICALLY SAFE APPLICATIONS PLEASE ENSURE THE ELECTRICAL INSTALLATION FULLY COMPLIES WITH LOCAL REGULATIONS